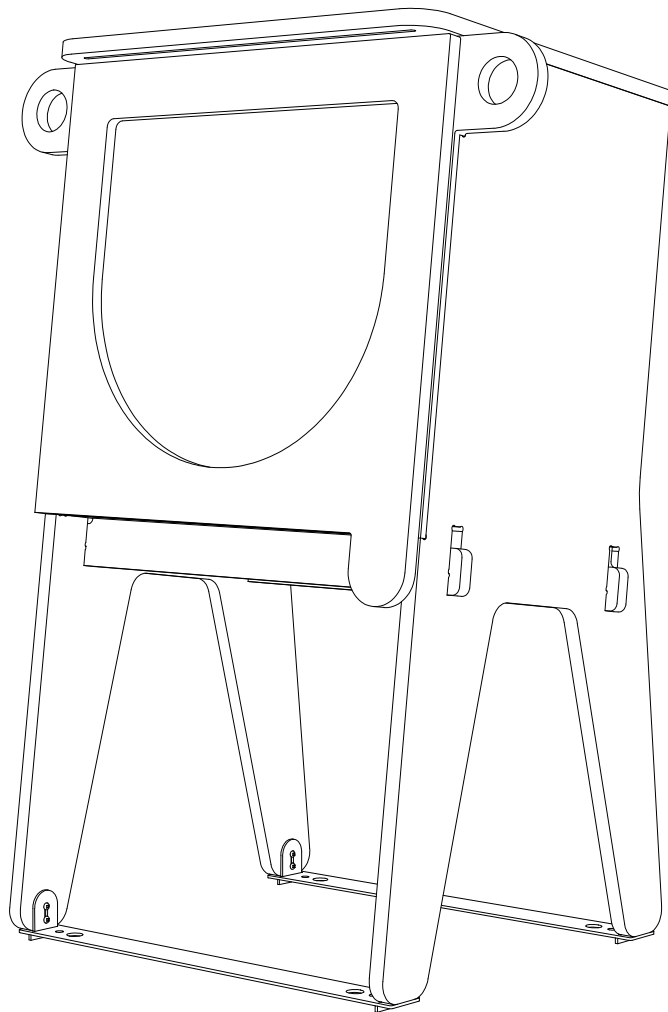


# CROQUE-LIVRES ASSEMBLY INSTRUCTIONS



# Warning

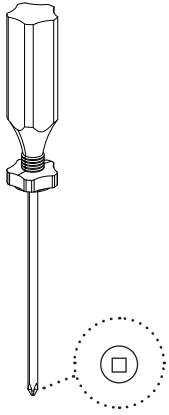
**Note: The Croque-Livres is provided for altruistic purposes without any profit for the supplier. The assembly and use of a Croque-Livres is solely and completely the owner's responsibility, who must ensure that it is assembled properly, installed in an appropriate manner in a safe environment, firmly grounded, in particular respect to its location, regardless of whether it was obtained for free or purchased.**

**By obtaining a Croque-Livres, you agree to use it appropriately: to assemble it correctly, maintain it in good condition, monitor its contents, and make it available to families with children aged 0 to 12 in a safe, easily accessible environment.**

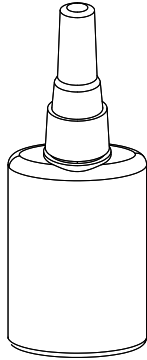
**The Lucie and André Chagnon Foundation and the suppliers involved in the design and manufacture of the Croque-Livres are not responsible for any damage, injury or incidents caused by the inappropriate use of a Croque-Livres, it being supplied without any warranty and at the risk of the owner.**

**If you have any questions about using the Croque-Livres, please write to [info@croquelivres.ca](mailto:info@croquelivres.ca).**

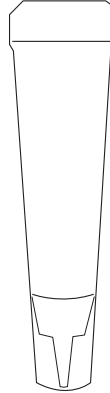
# Tools required



**Screwdriver**



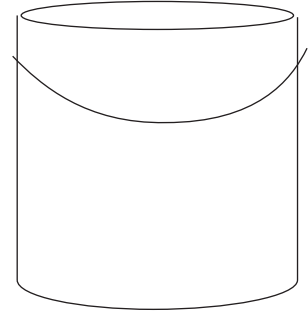
**Waterproof wood glue (e.g. Elmer Probond MAX)**



**100% clear, all-purpose silicone sealant (e.g. GE Silicone All Purpose)**



All available at hardware stores



**Suggested finishing products**

- Exterior paint
- Exterior varnish
- Exterior stain with protection (exterior varnish, etc.)
- Gouache, paint, pen (for interior use)

# Hardware



Make sure you have everything!

**Screw A (36x)**



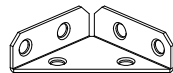
**Screw B (12x)**



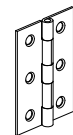
**Screw C (8x)**



**Corner brace (6x)**



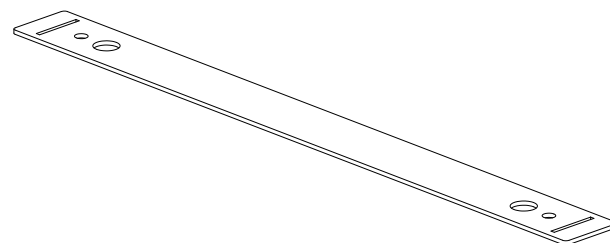
**Brass hinges (3x)**



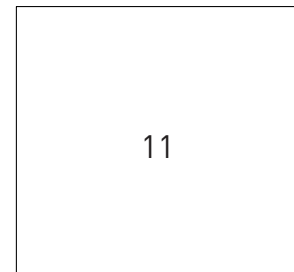
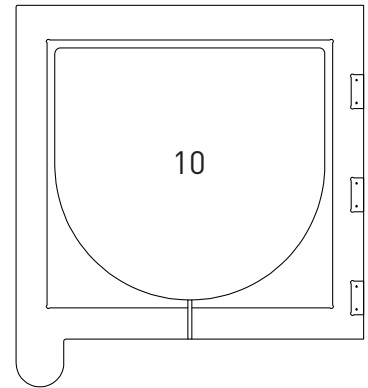
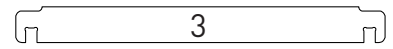
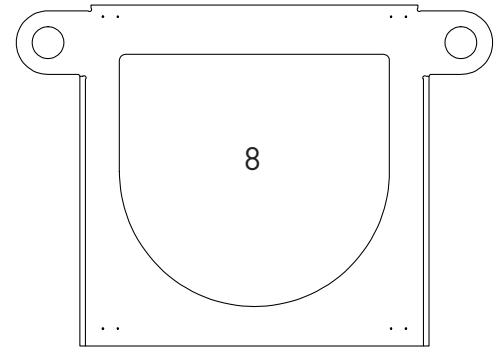
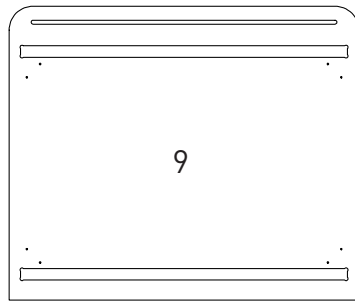
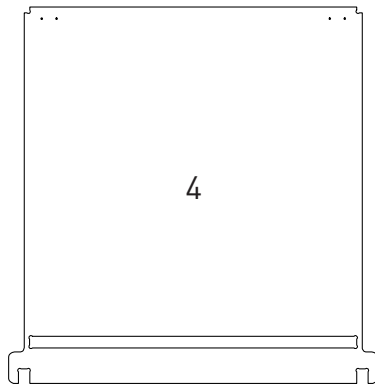
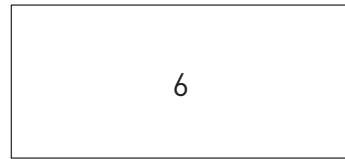
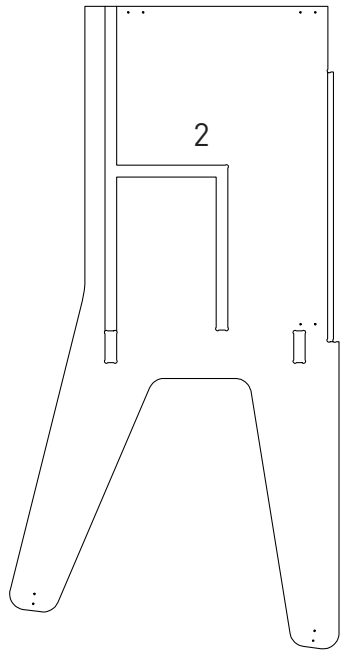
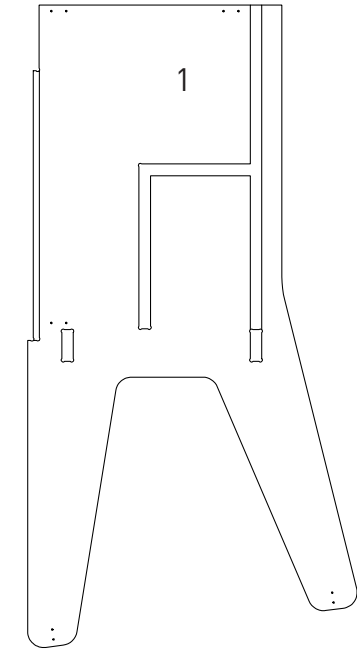
**Anchor part 1 (4x)**



**Anchor part 2 (2x)**

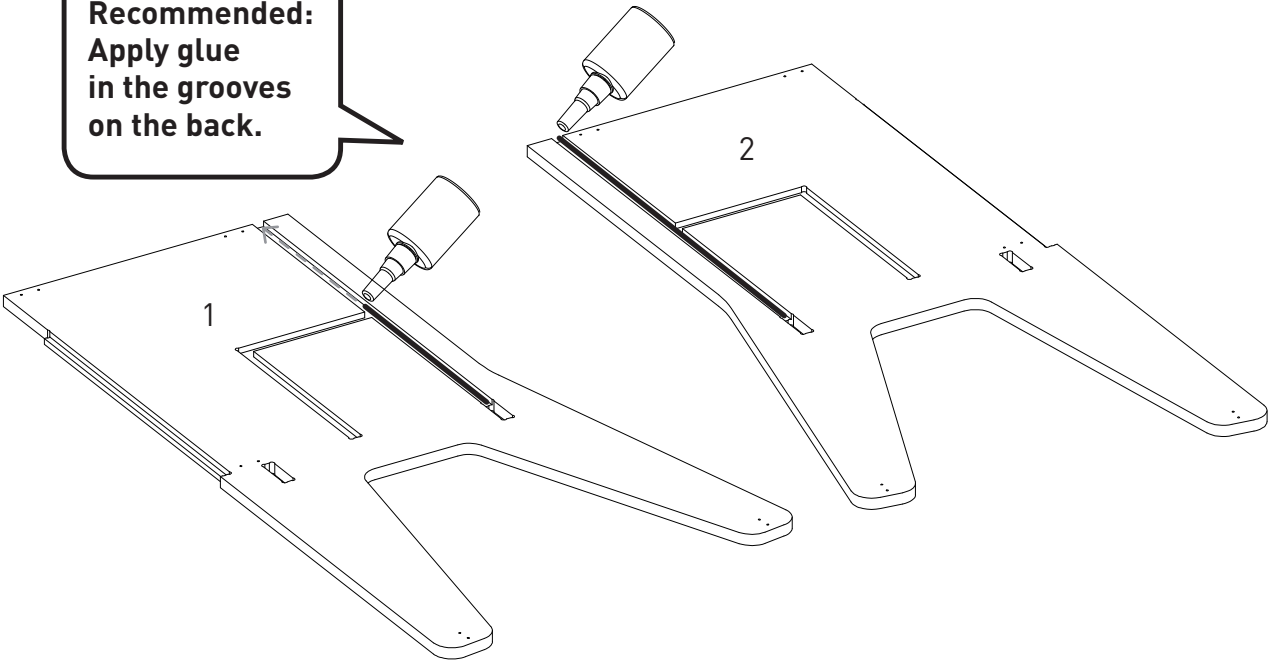


# In the box: Croque-Livres parts

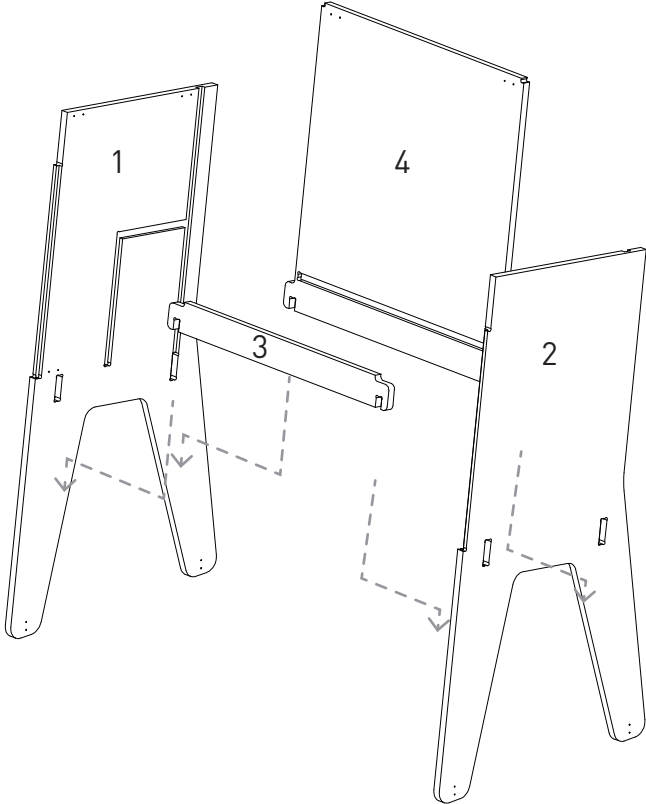


# Step 1

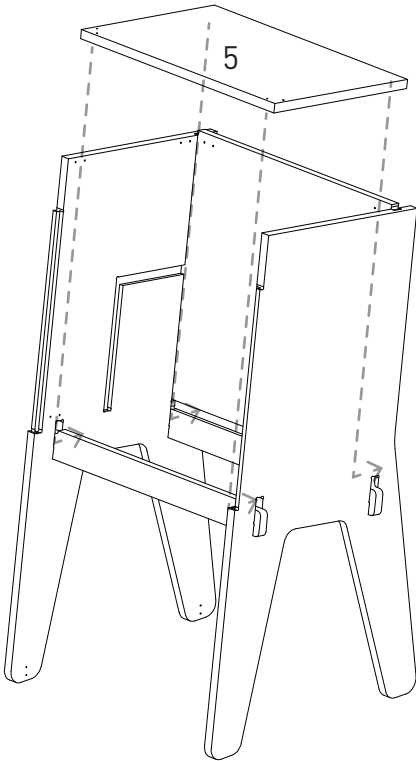
**Recommended:**  
Apply glue  
in the grooves  
on the back.



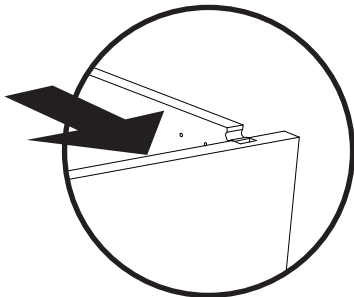
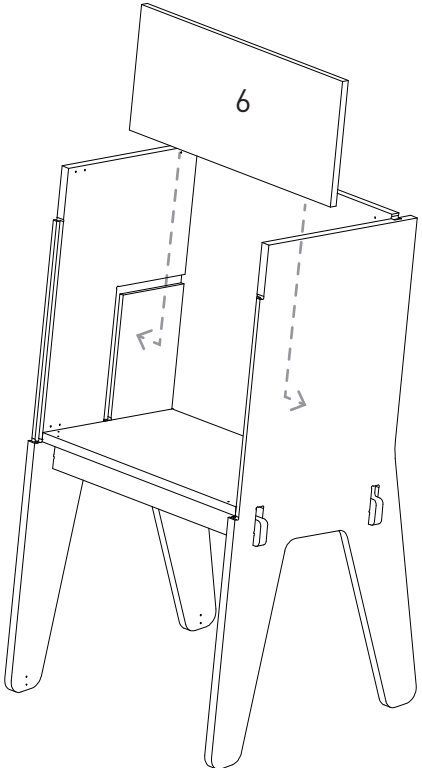
# Step 2



# Step 3

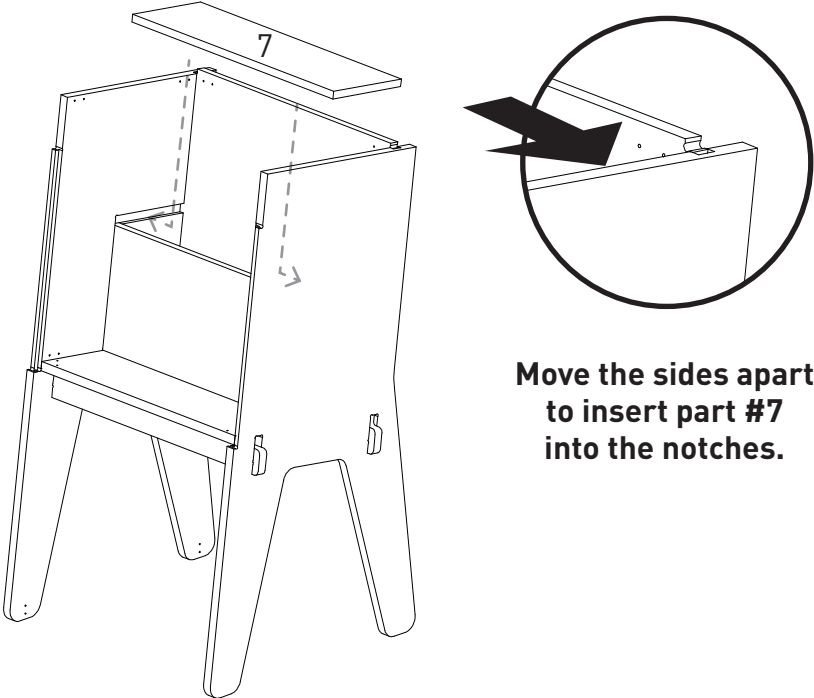


# Step 4



**Move the sides apart to insert part #6 into the notches.**

# Step 5

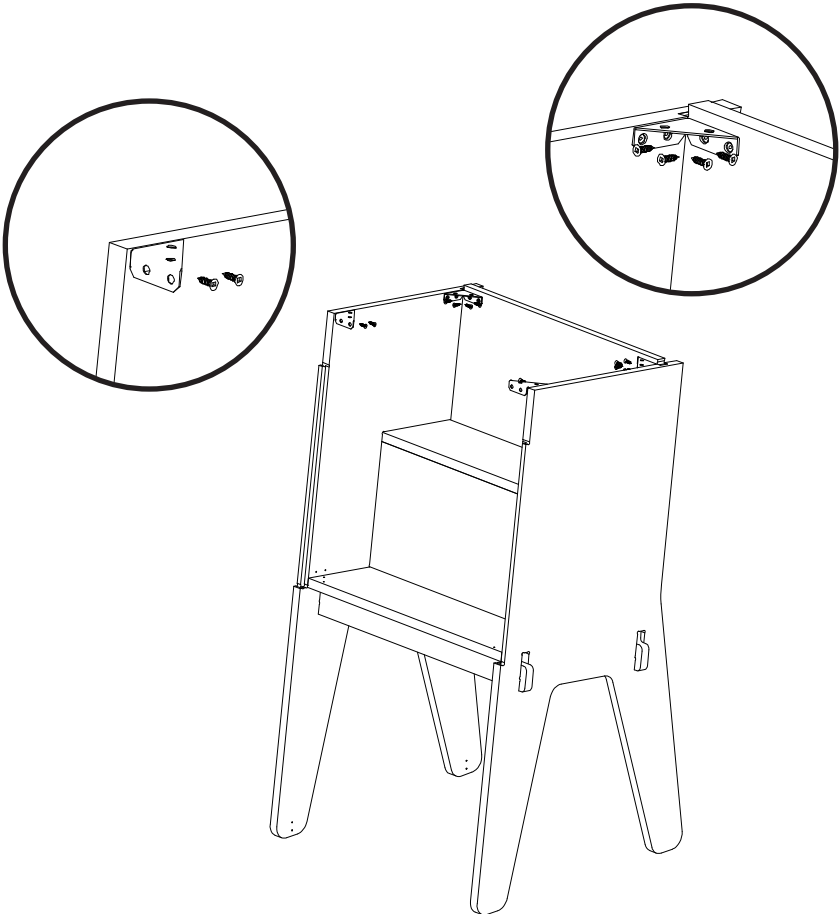
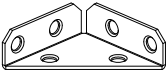


# Step 6

Screw A (12x)



Corner brace (4x)

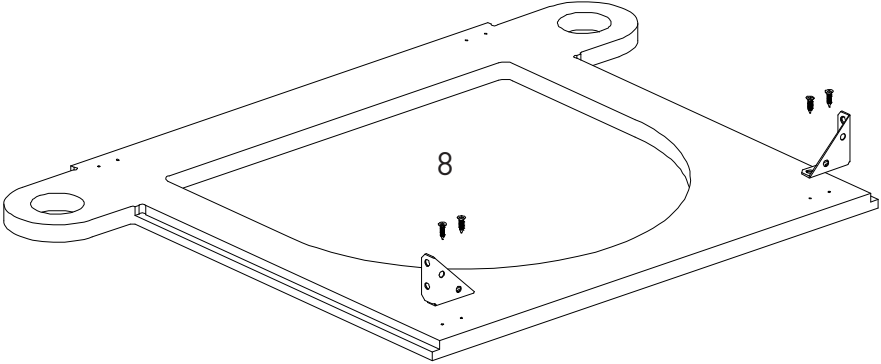
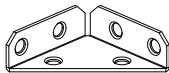


# Step 7

Screw A (4x)

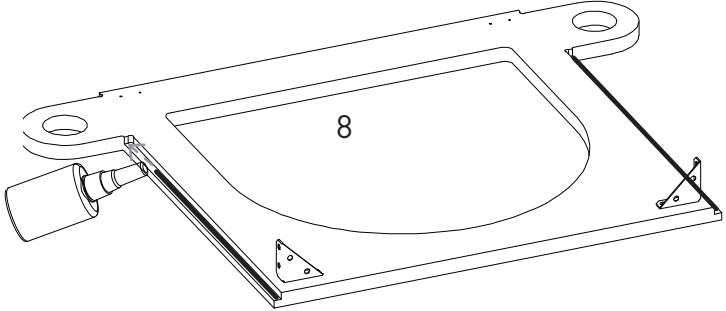


Corner  
brace (2x)



# Step 8

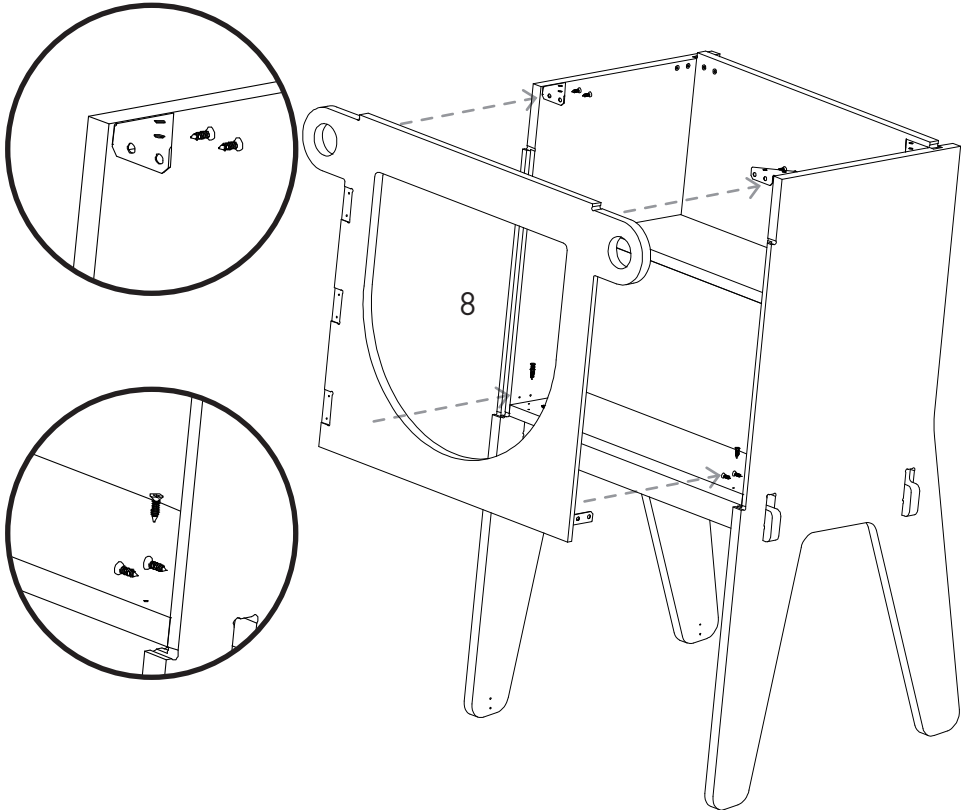
**Recommended:**  
Apply glue  
in the grooves  
at the front.





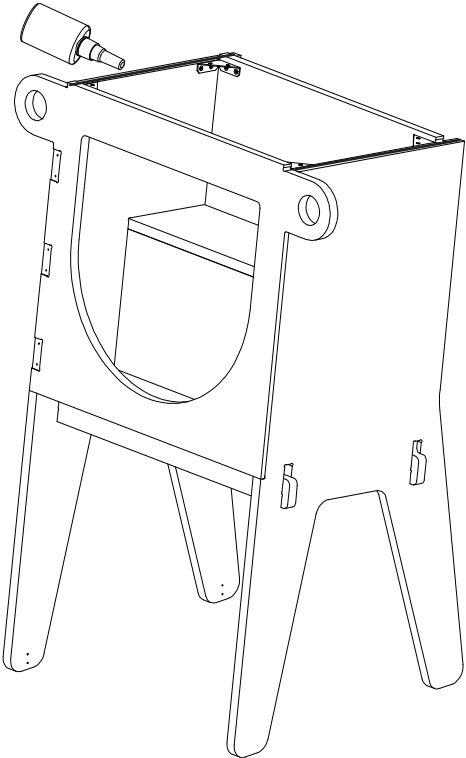
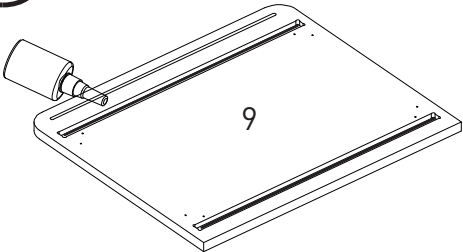
# Step 9

Screw A (10x)



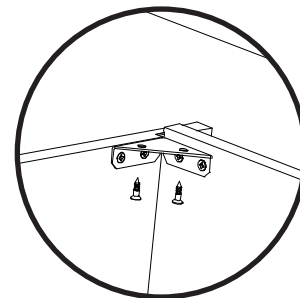
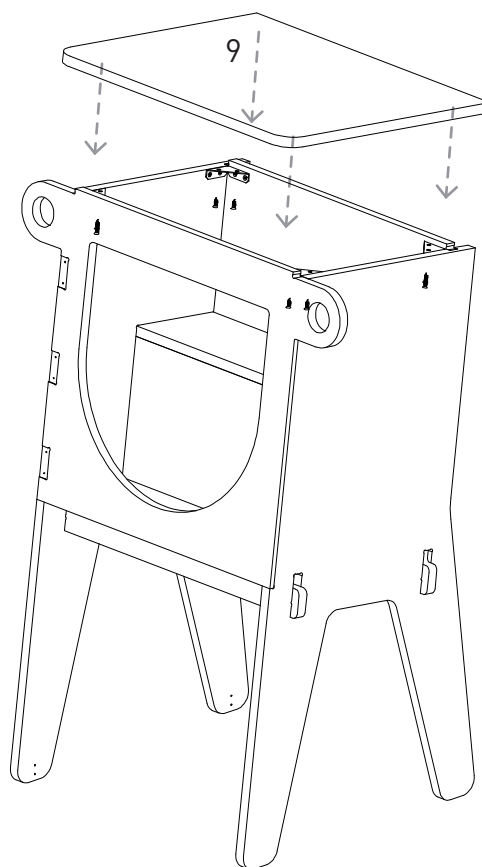
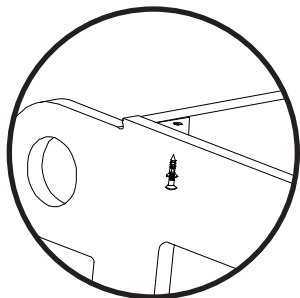
# Step 10

**Recommended:**  
Apply glue in  
the grooves  
and on top of  
the side panels.

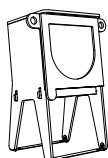


# Step 11

Screw A (8x)

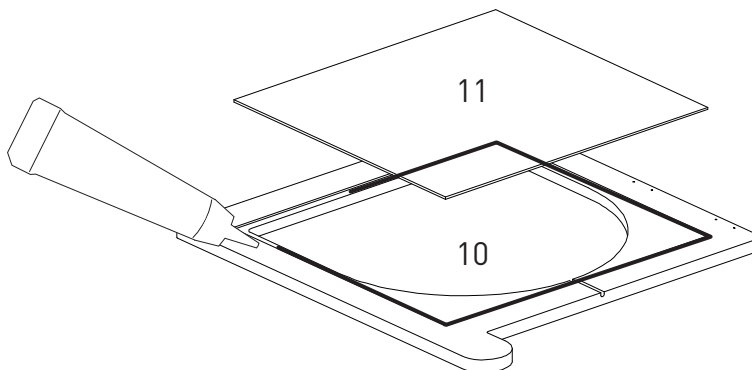


# Step 12



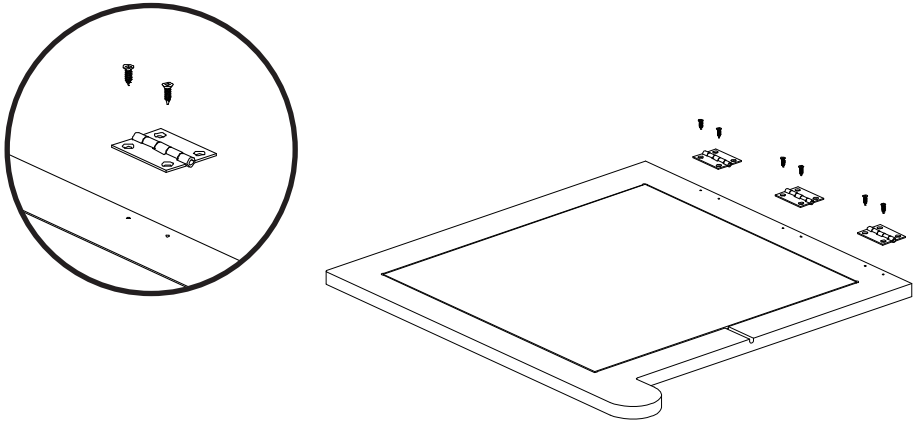
**ATTENTION:** Now is the best time to decorate your Croque-Livres. Later, it will be difficult to access all surfaces!

Apply a bead of silicone to glue the acrylic window in place. Let it dry and harden according to the manufacturer's instructions.



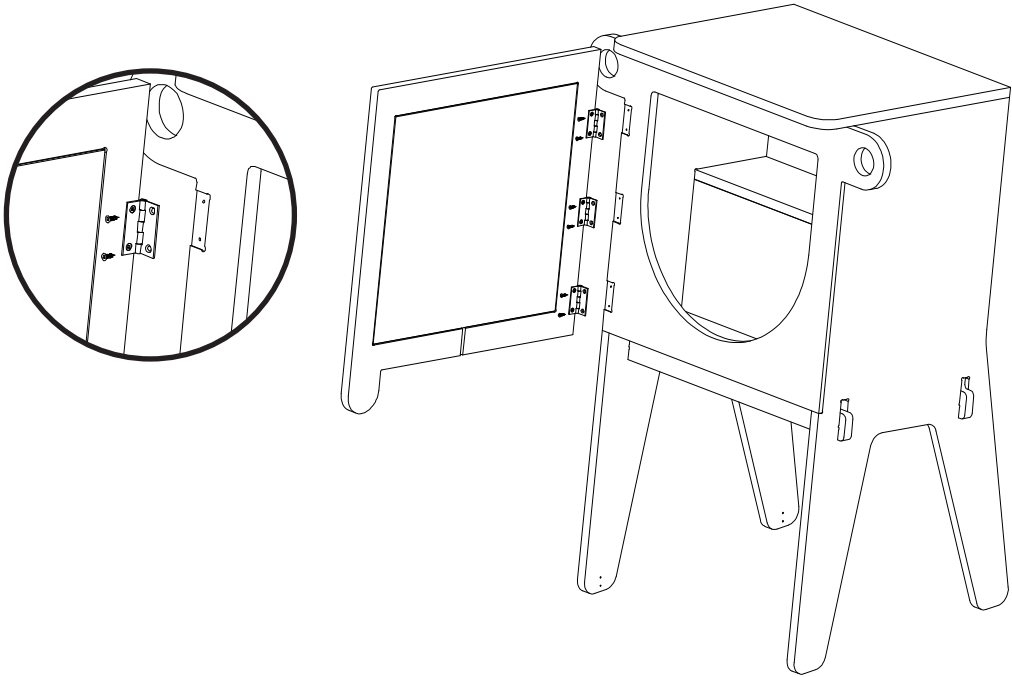
# Step 13

Screw B (6x)



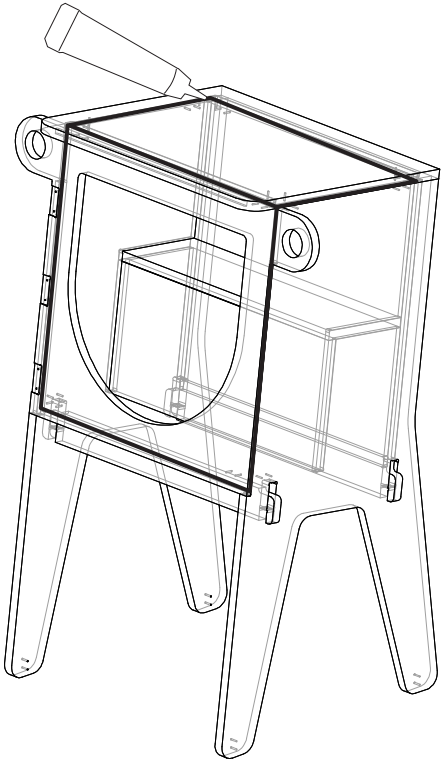
# Step 14

Screw B (6x)



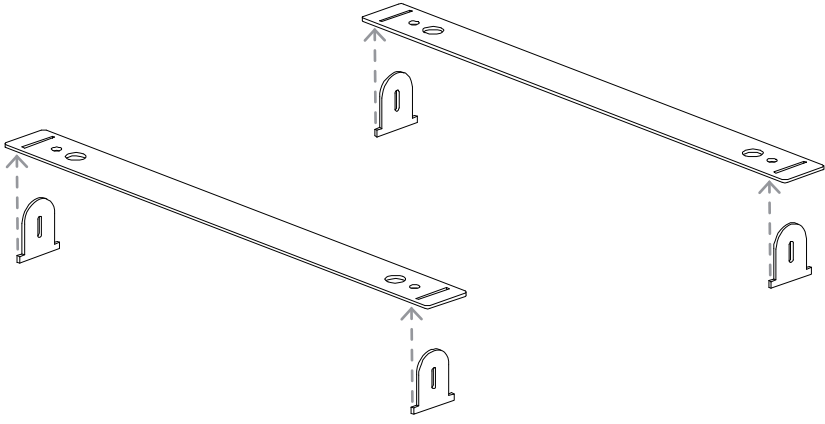
# Step 15

Use silicone to weatherproof the interior edges of the top and front of the Croque-Livres to prevent water infiltration.



\* The door is not shown in this view.

# Step 16

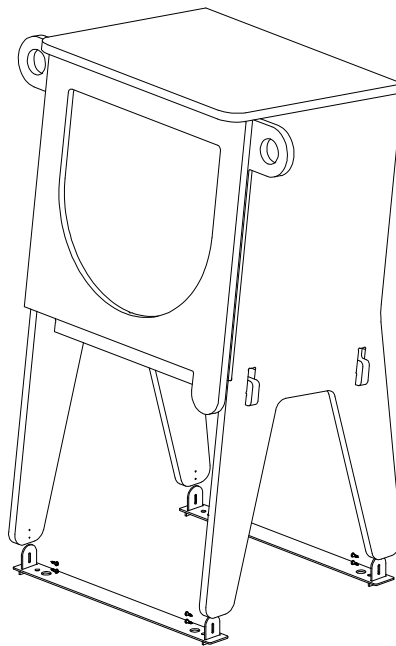
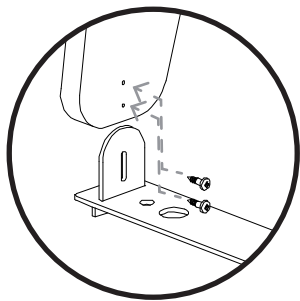


# Step 17

Screw C (8x)

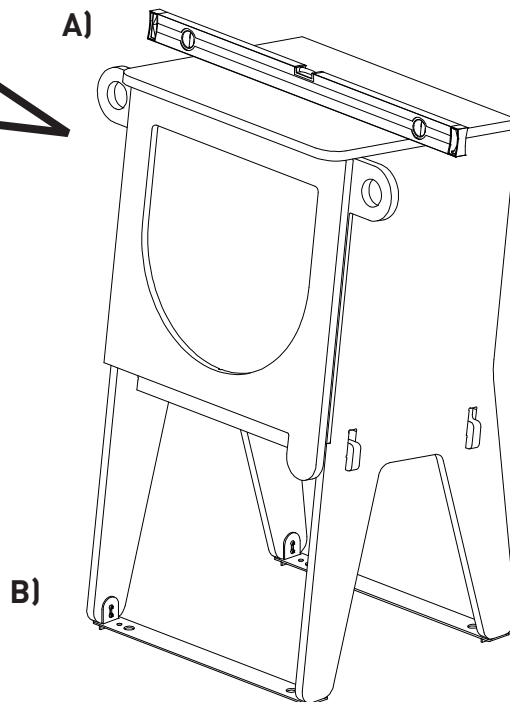


Do not tighten the screws completely.



# Step 18

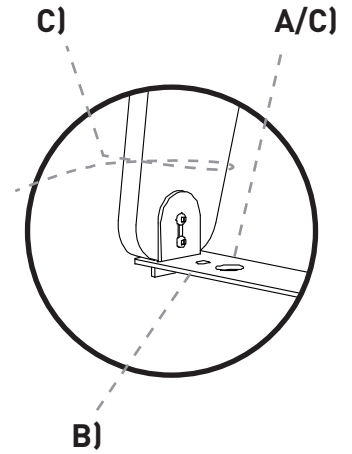
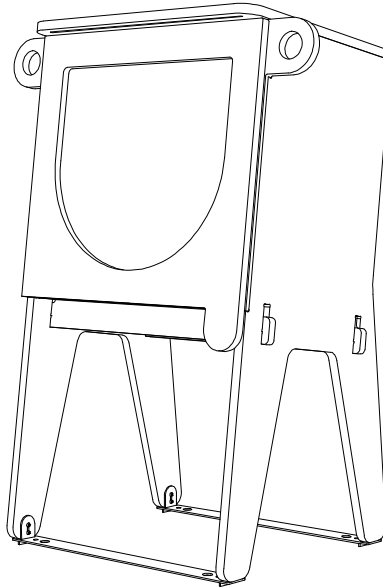
Place the Croque-Livres in its final location, ensuring that it is level before fully tightening the anchor screws.



# Croque-Livres installation

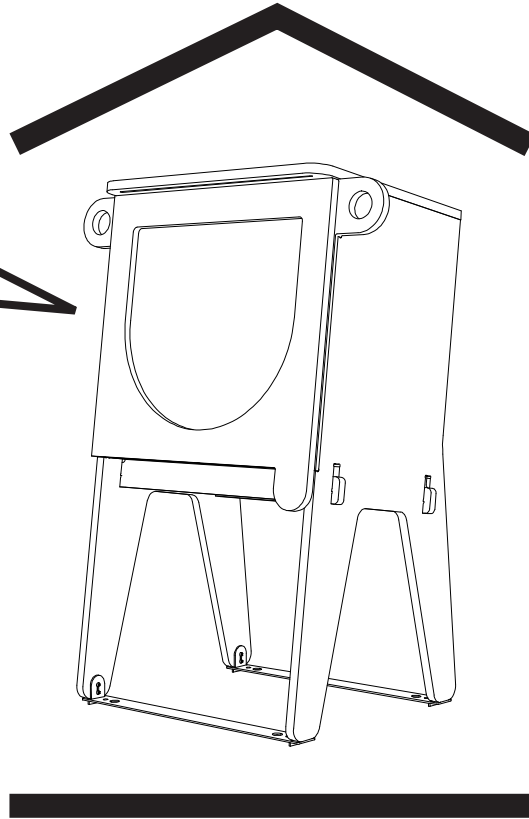
## Anti-theft suggestions

- A) Install posts or stakes for a grass surface.
- B) Install tapcon-style fasteners or chemical anchoring adhesive for an asphalt or concrete surface.
- C) Install a chain-lock.



# Protecting and finishing

**For interior use:  
Paint, gouache,  
felt pen, collage, etc.**



**For exterior use:  
Sealer, exterior paint,  
exterior varnish, etc.**

